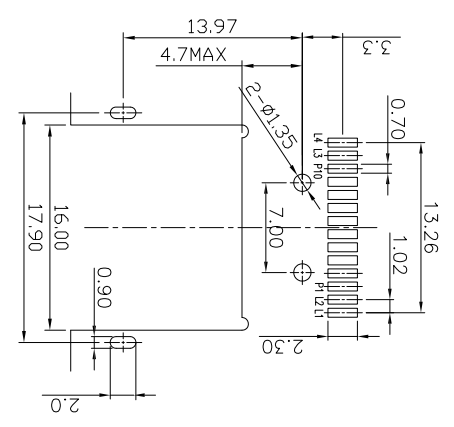
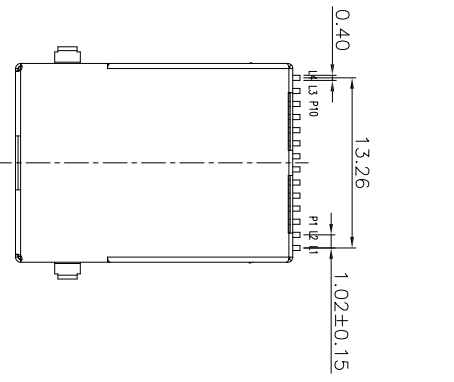


CATEGORY	DESCRIPTION	P/N #
CONNECTOR	RJ45+Transformer 沉板SMT 1000Mbps	MJ6A-B211-HRLXT165-1X

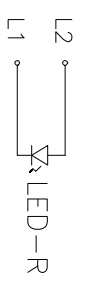
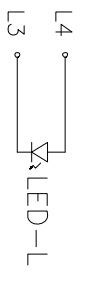
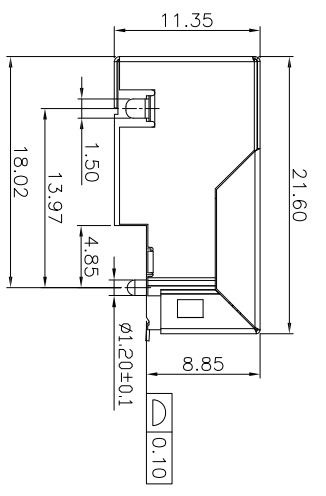
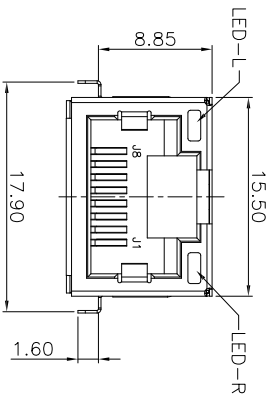
REV.	ECN NO	DESCRIPTION	REVISED	DATE
X01	---	NEW RELEASE	XSY	2017.06.21
A01	---	整理发行	XSY	2017.9.15



X	LED-L	LED-R
1	GREEN	YELLOW
2	YELLOW	GREEN

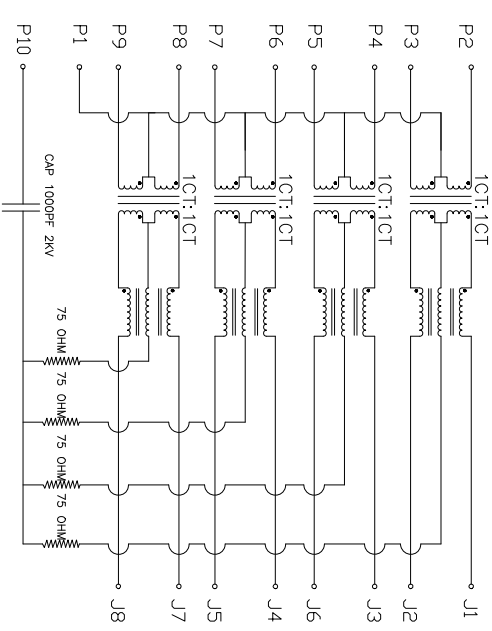
X	包装方式
C	卷带包装
P	吸塑包装

Recommended PCB Layout
(ToI:±0.05,T=1.60±0.05mm)



9	LED-R	1	See Table	Tin PLATING	
f	LED-L	1	See Table	Tin PLATING	
e	SHELL	1	BRASS	Ni PALTING	
d	SOLDER TERMINAL	14	BRASS	Tin PALTING	
c	CONTACT TERMINAL	8	PHOSPHOR BRONZE	Au 6u" PALTING	
b	INSERT	1	LCP UL94V-0	BLACK	
a	HOUSING	1	LCP UL94V-0	BLACK	
NO.	PART NAME	QTY	MATERIAL	PLATING & COLOR	Remark

1. Turn Ratio(+/-2%): 1CT:1CT
2. Inductance OCL: 350uH Min@100KHz/0.1V DC BIAS 8mA
3. Insertion Loss:
 - 1.0dB MAX@1.0-100MHz
 - 1.2dB MAX@100-125MHz
4. Return Loss:
 - 20dB Min@1-30MHz
 - 16dB Min@30-60MHz
 - 12dB Min@60-80MHz
 - 10dB Min@80-100MHz
5. Cross Talk:
 - 40dB Min@1-30MHz
 - 35dB Min@30-60MHz
 - 30dB Min@60-100MHz
6. Common Mode Rejection:
 - 30dB Min@1-50MHz
 - 20dB Min@50-150MHz
7. OPERATING TEMPERATURE RANGE: 0-70°C



UNLESS OTHERWISE SPECIFIED TOLERANCES

SCALE:1/1 UNIT: mm
PAGE:1 OF 1 REV: A01

东莞市合陵电子有限公司
DongGuan Heling Electronic Co.,LTD

DECIMALS:	ANGLES:	APPROVED BY	CHECKED BY	PREPARED BY
X :±0.5	X :±2			
XX :±0.3	XX :±1	DICK	XSY	XSY
XXX :±0.2				

CUSTOMER COPY